

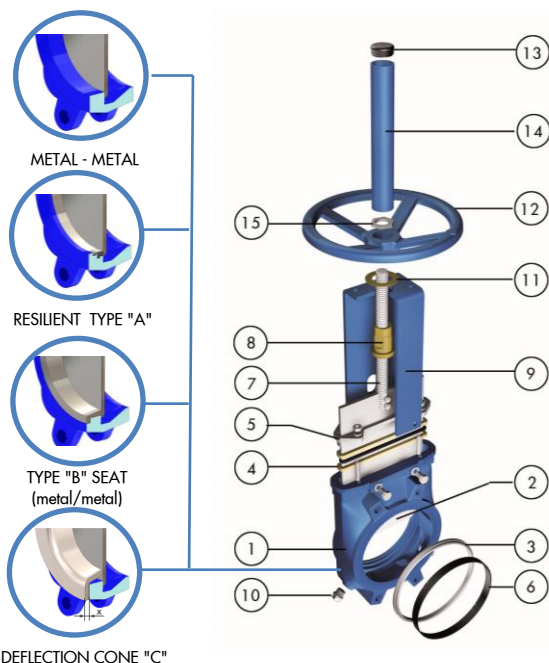
The XC model knife gate valve is a wafer type valve designed for industrial bulk handling service applications (powdered and granular products). The special design of the body allows for easy passage of the fluid and makes it ideal for use as silo outlet valve. Widely used in industries such as Power Plants, Chemical Plants, Mining, Food and Beverage, etc.

### Product description:

- Uni-directional wafer type knife gate valve
- Size range of DN50-600 (larger sizes upon request). See Dimension Charts for pressure rating
- Rising & non-rising stem configurations available
- Standard flange connection: DIN PN10 (EN 1092-2) and ANSI B16.5 (class 150)  
Others available upon request
- Manual (handwheel, chainwheel, lever and bevel gear), pneumatic (single and double-acting), electric and hydraulic actuation options available
- For EU Directives and other Certificates, please see the document:  
Directives and Certificates Compliance - Knife Gate Valves - Catalogues and Datasheets

### Features:

- Wafer cast monoblock body with internal cast-in gate wedges and guides for tighter shut-off as well as special cast gate supports for permanent contact between seat and gate when the valve is installed in flow opposite direction
- Wide face-to-face distance and integrated flushing corners to avoid any solids build up that would prevent the valve from closing, as well as, standard flush ports for body cleaning
- Stainless steel rectangular shaped gate, polished both sides to avoid jamming and seat damage
- Standard EPDM resilient seat. Metal-to-metal seat, as well as high performance rings and deflection cones available
- Long life PTFE impregnated synthetic fibre plus EPDM o-ring packing with easy access and adjustable gland follower. Wide range of packing materials available
- RAL-5015 blue epoxy-coating on all cast iron/carbon steel components
- Automated valves provided with gate guards in accordance with EU Safety Standards
- Other options: bonnets, flushing ports, special materials, fabricated valves, etc.
- Actuation accessories: limit & proximity switches, mechanical stops, positioners, solenoid valves, manual overrides, locking devices, fail safe systems, stem extensions and floor stands

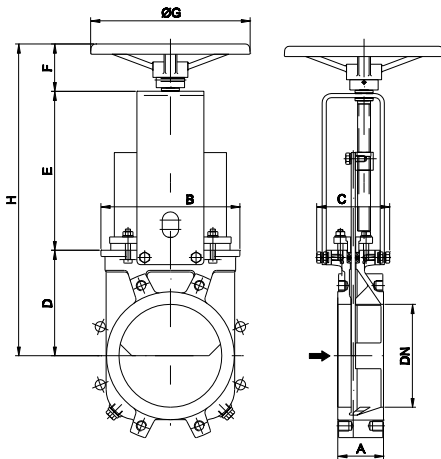
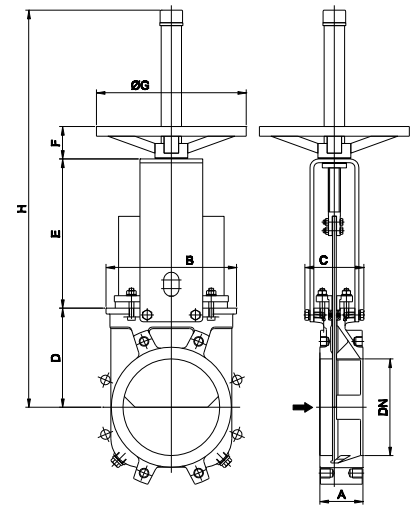


### STANDARD PARTS LIST

Part	Cast Iron/ Stainless Steel
1 Body	GJL250(GG25) / CF8M
2 Gate	AISI 304 / AISI 316
3 Seat	Metal-to-Metal, EPDM
4 Packing	PTFE impreg. synth. fibre with EPDM o-ring
5 Gland Follower	Al(DN50-300) - Ductile Iron (DN350-600) / CF8M
6 Seat Retainer Ring	AISI 304 / AISI 316
7 Stem	Stainless Steel
8 Stem Nut	Brass
9 Yoke	Epoxy-coated carbon steel
10 Cleaning	Carbon steel
11 Friction Washer	Brass
12 Handwheel	GJS400 (GGG40)
13 Cap	Plastic
14 Stem Protector	Epoxy-coated carbon steel
15 Nut	Zinc plated carbon steel

## DIMENSIONS (mm) Handwheel Rising Stem

DN	Working pressure (*)	A	B	C	D	E	F	ØG	H	Weight (kg.)
50	10 bar	46	124	100	105	129	47	225	420	7
65	10 bar	46	139	100	115	146	47	225	450	8
80	10 bar	64	154	100	124	162	47	225	475	9
100	10 bar	64	174	100	140	187	47	225	520	11
125	10 bar	70	192	100	150	211	47	225	600	15
150	10 bar	76	217	100	170	237	47	225	647	18
200	10 bar	89	270	122	205	309	67	310	822	30
250	10 bar	114	326	170	240	364	67	310	1012	44
300	6 bar	114	380	170	280	414	67	310	1102	58
350	6 bar	127	438	170	320	486	66	410	1305	96
400	6 bar	140	493	170	350	536	66	410	1385	124
450	5 bar	152	546	170	420	588	66	550	1582	168
500	4 bar	152	620	170	450	648	66	550	1672	192
600	4 bar	178	714	170	530	748	66	550	1962	245

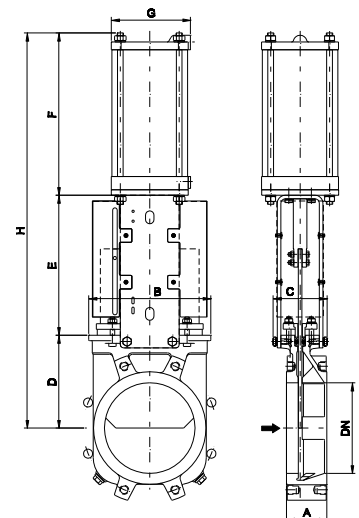


## DIMENSIONS (mm) Handwheel Non Rising Stem

DN	Working pressure (*)	A	B	C	D	E	F	ØG	H
50	10 bar	46	124	100	105	144	63	225	312
65	10 bar	46	139	100	115	161	63	225	339
80	10 bar	64	154	100	124	177	63	225	364
100	10 bar	64	174	100	140	202	63	225	405
125	10 bar	70	192	100	150	226	63	225	439
150	10 bar	76	217	100	170	252	63	225	485
200	10 bar	89	270	122	205	317	73	310	595
250	10 bar	114	326	170	240	372	73	310	685
300	6 bar	114	380	170	280	422	73	310	775
350	6 bar	127	438	170	320	509	98	410	927
400	6 bar	140	493	170	350	559	98	410	1007
450	5 bar	152	546	170	420	611	98	550	1129
500	4 bar	152	620	170	450	671	98	550	1219
600	4 bar	178	714	170	530	771	98	550	1399

## DIMENSIONS (mm) Pneumatic Actuator (D/A)

DN	Working pressure (*)	A	B	C	D	E	F	G	H	Weight (kg.)	Standard Cyl.	Connect.
50	10 bar	46	124	100	105	129	178	115	412	9	C100/62	1/4" G
65	10 bar	46	139	100	115	146	193	115	454	10	C100/77	1/4" G
80	10 bar	64	154	100	124	162	211	115	497	11	C100/95	1/4" G
100	10 bar	64	174	100	140	187	231	115	558	14	C100/115	1/4" G
125	10 bar	70	192	100	150	211	271	140	632	20	C125/143	1/4" G
150	10 bar	76	217	100	170	237	296	140	708	25	C125/168	1/4" G
200	10 bar	89	270	122	205	309	358	175	872	44	C160/220	1/4" G
250	10 bar	114	326	170	240	364	428	220	1032	67	C200/270	3/8" G
300	6 bar	114	380	170	280	414	478	220	1172	82	C200/320	3/8" G
350	6 bar	127	438	170	320	500	549	277	1369	135	C250/375	3/8" G
400	6 bar	140	493	170	350	550	599	277	1499	165	C250/425	3/8" G
450	5 bar	152	546	170	420	598	680	382	1698	220	C300/475	1/2" G
500	4 bar	152	620	170	450	658	730	382	1838	280	C300/525	1/2" G
600	4 bar	178	714	170	530	758	830	382	2128	330	C300/625	1/2" G



(\*) For specific tightness requirements, contact ORBINOX technical department